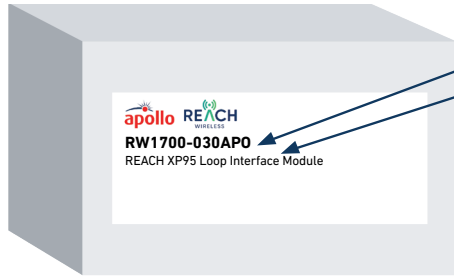


QUICK START GUIDE



THE BOX

Product Part Number
Product Description

INSIDE THE BOX

- 1 x Loop Interface Module
- 4 x Screws
- 1 x Quick start guide

MOUNTING STEPS

The Translator Module is IP65 rated, suitable for external mounting. The backbox must be installed on the wall as flat as possible to retain IP-rating, to prevent distortion of the housing and the ingress of contamination and/or moisture.

Proceed as follows to complete the device installation.



IMPORTANT TO CONSIDER

When mounting a wireless device, a comprehensive radio survey should have been carried out to establish the location that provides the best coverage and optimum reach. Taking into consideration the building structure and materials, the survey identifies the wireless infrastructure required and product locations for optimum performance, identifying any factor that could prevent radio integrity.

Avoid fixing or mounting the unit close to the following:

- Equipment that utilises large electrical currents
- Large metal objects or structures
- Fluorescent lighting fittings
- Metal ceiling structures
- IT cabling.

Keep 2 meters minimum spacing between other wireless equipment in the area to avoid signal interference.



EN54 approved environmental temperature range is -10°C to +55°C

UNBOXING

- The Translator has removable top and bottom front plastics to cover screw housings.
- The Translator is housed in an IP Rated box, with knock-outs for IP-rated glands.
- 4 plastic screws are provided to secure the lid.

For more information, please refer to the user manual. Available on apollo-fire.co.uk

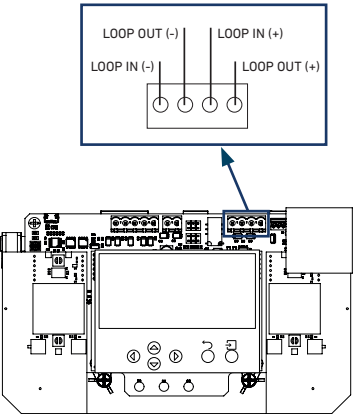
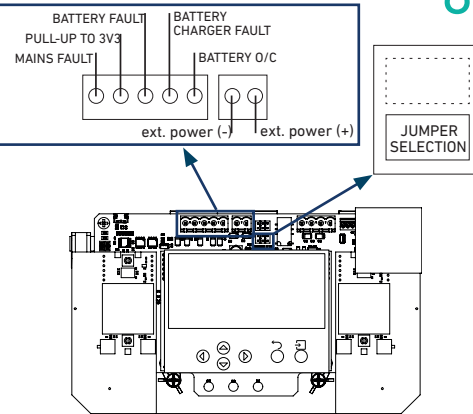
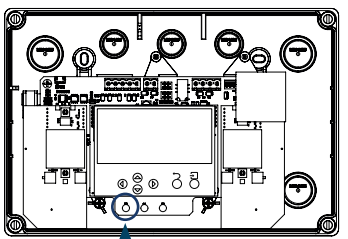
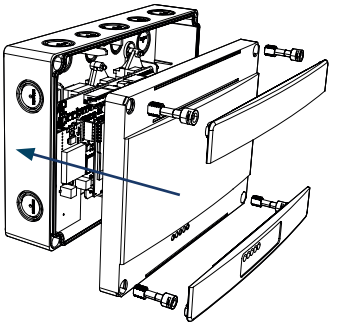
Scan QR code
for full user manual



RW1700-030APO

<p>1</p> <p>Remove top and bottom front plastics that cover screws, unscrew all four screws and remove the lid from the backbox.</p>	<p>2</p> <p>Remove the electronic PCB assembly from the enclosure. The PCB is held by two Philips screws below the display, it then slides up and out.</p> <p>SCREWS</p>
<p>3</p> <p>Using a suitable-sized drill bit (4mm) drill the pre-defined screw mounting points in the 4 corners of the backbox.</p> <p>MOUNTING HOLES</p>	<p>4</p> <p>Prepare apertures (20mm knockouts) required for cable access and fit appropriate rated glands.</p> <p>YES</p> <p>NO</p>
<p>5</p> <p>Screw the backbox to the wall using all fixing holes and appropriate-sized roundhead screws (do not use countersunk screws).</p>	<p>6</p> <p>Insert cable, tighten glands and refit PCB and securing screws.</p> <p>SCREWS HOLES</p>

QUICK START GUIDE

<p style="text-align: right; font-size: 2em; color: #008080;">7</p>  <p>The Loop connector on the top of the translator board should be wired to the Panel of your choice, from the left to right the terminals are:</p> <ul style="list-style-type: none"> • Loop In Negative wired to Loop Out Negative on the Panel • Loop Out Negative wired to Loop In Negative on the Panel • Loop In Positive wired to loop Out Positive on the Panel • Loop Out Positive wired to Loop In Positive on the Panel. 	<p style="text-align: right; font-size: 2em; color: #008080;">8</p>  <ul style="list-style-type: none"> • If connecting a wired EN54-4 PSU (optional) there are 2 terminals for the connections from the power side of the PSU. • There are also terminals for Fault Monitoring using a feed. • Ensure you select the correct jumper position.
<p style="text-align: right; font-size: 2em; color: #008080;">9</p>  <p style="text-align: center;">GREEN LED</p> <p>The translator will power up and the translator will be ready for commissioning phase.</p>	<p style="text-align: right; font-size: 2em; color: #008080;">10</p>  <ul style="list-style-type: none"> • Screw the lid to the backbox using the supplied plastic screws and refit top and bottom front plastics that cover screw housings.